

Aimgene Technology Co., Ltd

12F-5, No2, jian Ba Rd, Chung Ho City,
Taipei 235, Taiwan R.O.C.
Tel: 886 2 8226-2278 Fax: 886 2 8226-2272



Aimgene Bio Flex II

Fingerprint Recognition Embedded System

Demo Board Operation Menu

All brand names are registered trademarks of their owners

■ **Instruction :** MODEL NO: BFS-2A

1. Compact size, embedded system design principle.
2. Easy integrate biometric security function into any product.
3. High C/P value, provide 1:1, 1: N fingerprint matching.
4. Semiconductor chip sensor, anti-stain, 3-D image capture.
5. Standalone system, low power consumption.



■ **Features :**

1. Use chip sensor to effectively detect fingerprints with smudge, scar, cut, swelling and fingers that are too dry or too wet.
2. Firmware automatically ignores residual fingerprints.
3. Easy operation of fingerprint enrollment by 1:1 and 1:N Matching combined.
4. Self-authentication / verification (no PC is required)

■ **Application :**

1. Electronics Commerce - ATM / E-bank system access control.
2. Personal handheld device security, personal preference.
3. Theft protection, Equipment rack, Gun box, Safe box, Door lock...etc.
4. Time Attendance, Access control system. Vehicle security control
5. Integrate with Contact / Contact-less smart card system.
6. MIS / ERP security.
7. Machinery control

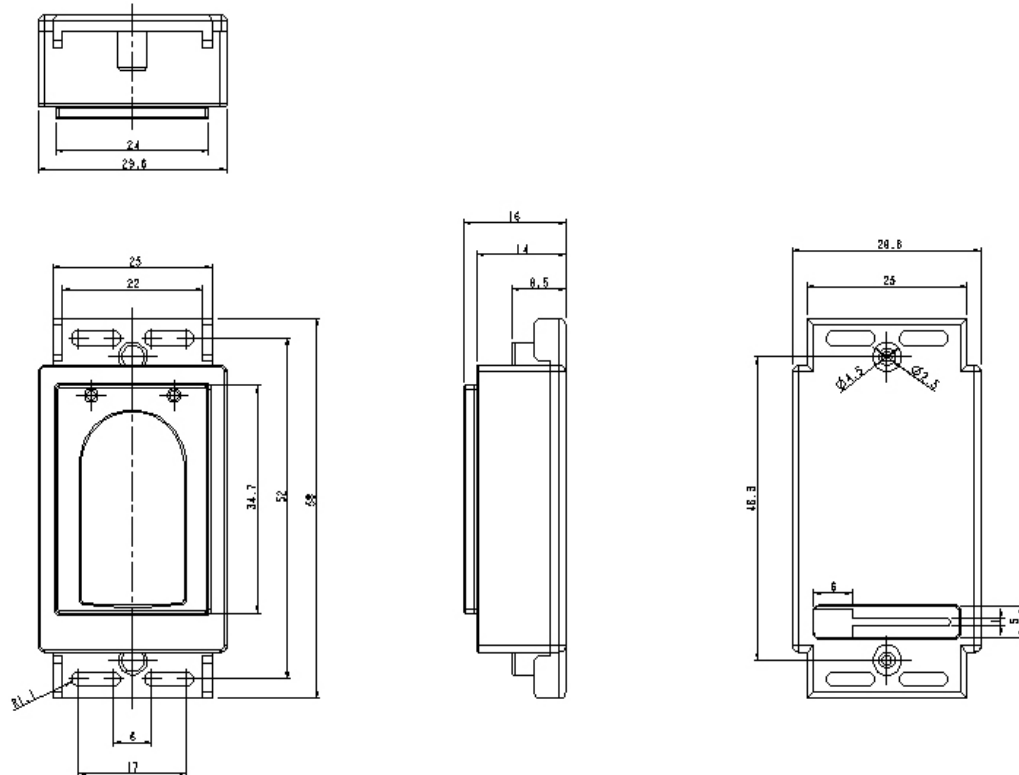
■ **Specifications: Bio Flex II**

Model NO:BFS-2A

Fingerprint Template Capacity	1 : N 8 templates 1 : 1 500/1000/2000 or more templates (store extension memory)
Sensor	Semiconductor
Hardware Interface	RS-232 (TTL), SIO
Resolution	400DPI
Field Size	200X152 pixels
Gray Level	256 levels (8 bits/pixel)
Minutia Size	392 bytes
False Rejection Rate	1/100
False Acceptance Rate	1/1,000,000
Allowable Rotation	± 8°
ESD	15KV
Scanning Speed	< 1 second
Matching Speed	< 10ms
Module Dimension	16(D) X58 (H) X30 (W) mm
Weight	Under25g
Operation Temperature	-40°C~70°C
Allowable Voltage	4.5V~6.5V DC
Power Consumption	Active <1100mA, Idle<10mA, off<10μA
MMI	2 DUO-LED'S Red / Green / Orange

■ **Dimensions:** Aimgene Bio Flex II

Model No: BFS-2A



■ **Cable Pin Assignment:**

TTL Level (3.3V)

Pin No.	Pin Name	Type	Definition
1	VIN	PWR	Power supply, 5V~9V (Red Color)
2	RXD	IN	Asynchronous communication interface receiver data, 3.3V TTL level,, internal pull up resistor
3	TXD	OUT	Asynchronous communication interface transmit data, 3.3V TTL level, external pull down resistor is recommended
4	GND	GND	Ground for power and signals
5	START#	IN	Indicate start verify, indication from module to host, external pull up resistor is recommended