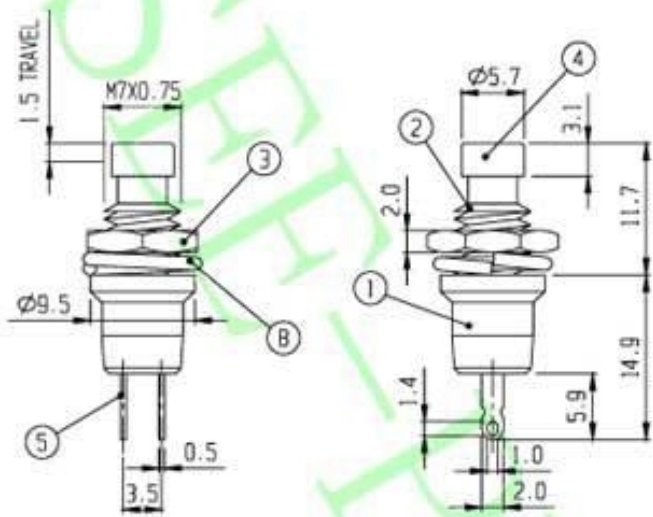
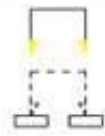




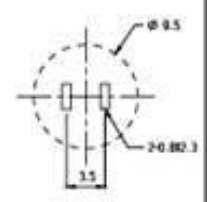
RoHS Compliance



NORMAL OPEN



SCHEMATIC



P.C.B. LAYOUT

7	SPRING	STEEL WIRE	1		8	MESON	S P C C	1	Ni PLATED
5	TERMINAL	BRASS	2	Ag PLATED	6	CONTACT	BRASS	1	Ag PLATED
3	N U T	S P C C	1	Ni PLATED	4	KNOB	P C	1	
1	FRAME	P C	1		2	FRAME	BRASS	1	Ni PLATED
NO.	PART	MATERIAL	QTY	REMARKS	NO.	PART	MATERIAL	QTY	REMARKS

ISSUED		SPECIFICATION			TITLE: PUSH BUTTON SWITCH (1P1T)					
	RATING: DC 30V 0.5A				MODEL NO: PB-11C02					
	CONTACT RESISTANCE: 30mΩ max.				TOLERANCE		UNIT: MM	DWN.		
	INSULATION RESISTANCE: 500MΩ AT 500V DC				UP TO 1.0:±0.1		SCALE: 2:1	CHK'D.		
	WITHSTAND VOLTAGE: AC 500V for 1 minute				1.0 TO 10.0:±0.2		VERSION: 01	APPD.		
	OPERATION FORCE: REFER ATTACH SPECIFICATION				OVER 10.0:±0.3		DRWG NO:			
SWITCHING LIFE: 10K cycles min.										
BY:		SEE-PLUS INDUSTRIAL LTD.								
DATE: 27-MAR-2003										