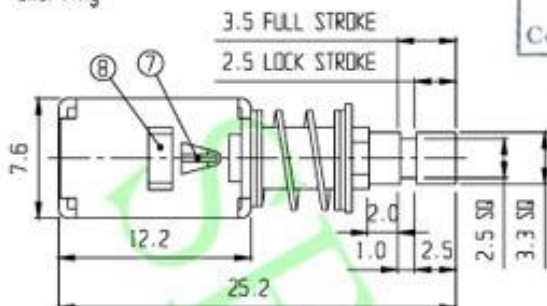
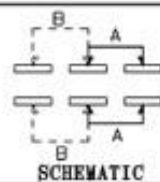




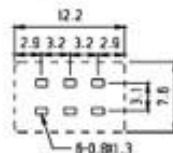
Non-shorting
shorting



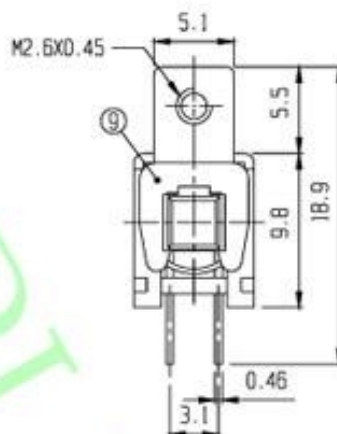
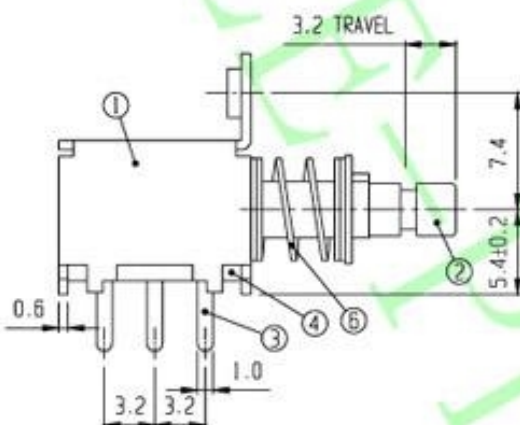
RoHS
Compliance



SCHEMATIC



PCB LAYOUT



9	"U" PLATE	SPCC	1	Ni PLATED					
7	HOOK	BRASS	1		8	LOCK PLATE	P B S	1	
5	CONTACT	P B S	2	Ag PLATED	6	SPRING	STEEL WIRE	1	
3	TERMINAL	BRASS	6	Ag PLATED	4	TERMINAL BASE	PHENOL RESIN	1	NATURAL
1	FRAME	SPCC	1	Ni PLATED	2	KNOB	P O M	1	
NO	PART	MATERIAL	QTY	REMARKS	NO	PART	MATERIAL	QTY	REMARKS
ISSUED		SPECIFICATION			TITLE: PUSH SLIDE SWITCH (2P2T) (LOCK)				
		RATING: DC 30V 0.3A			MODEL NO: PS-22F04				
		CONTACT RESISTANCE: 30mΩ max.			TOLERANCE UNIT: MM				
		INSULATION RESISTANCE: 500MΩ at 500V DC			DWN. <i>hwo</i>				
		WITHSTAND VOLTAGE: AC 500V for 1 minute			UP TO 1.0:±0.1 SCALE: 3:1				
		OPERATION FORCE: REFER ATTACH SPECIFICATION			1.0 TO 10.0:±0.2 VERSION: 02				
SWITCHING LIFE: 10K cycles min.			OVER 10.0:±0.3 DRNG NO: APPD. <i>[Signature]</i>						
BY: <i>[Signature]</i>		SEE-PLUS INDUSTRIAL LTD.							
DATE: 18-DEC-2007									