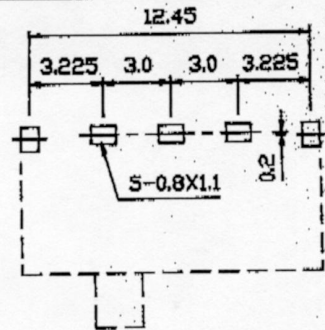
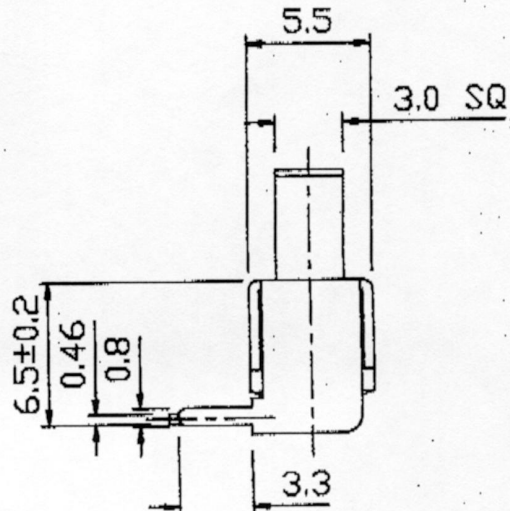
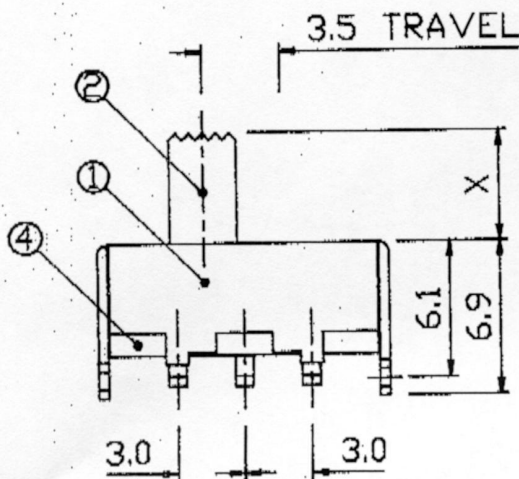
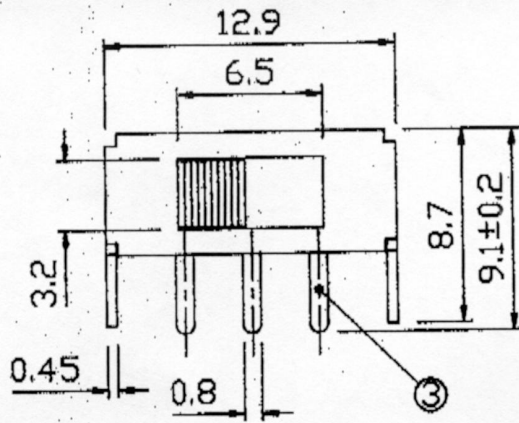



SCHEMATIC



PCB LAYOUT



5	CONTACT	B S P	1	Ag PLATED	6	SPRING	STEEL WIRE	1	
3	TERMINAL	BRASS	3	Ag PLATED	4	TERMINAL BASE	PHENOL RESIN	1	NATURAL
1	FRAME	SPCC	1	Ni PLATED	2	KNOB	P O M	1	EG 2-15
NO	PART	MATERIAL	QTY	REMARKS	NO	PART	MATERIAL	QTY	REMARKS

	ISSUED	SPECIFICATION	TITLE: SLIDE SWITCH (1P2T)		
		RATING: DC 30V 0.3A	MODEL NO: SS-12F23 (EG 5)		
		CONTACT RESISTANCE: 30mΩ max.	UNIT: MM	DWN	<i>pu</i>
		INSULATION RESISTANCE: 500MΩ at 500V DC	SCALE: 2:1	CHK'D	<i>Sung</i>
		WITHSTAND VOLTAGE: AC 500V for 1 minute.	TOLERANCE: ±0.2	APPD.	<i>[Signature]</i>
		OPERATION FORCE: REFER ATTACH SPECIFICATION			
	SWITCHING LIFE 10K cycles min.				
BY	<p align="center">SEE-PLUS INDUSTRIAL LTD.</p>		DRWG NO:		
DATE 04-JUN-1999			VERSION: 01		